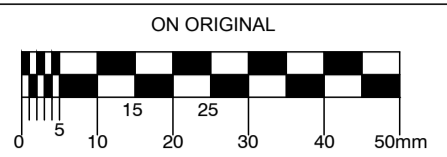
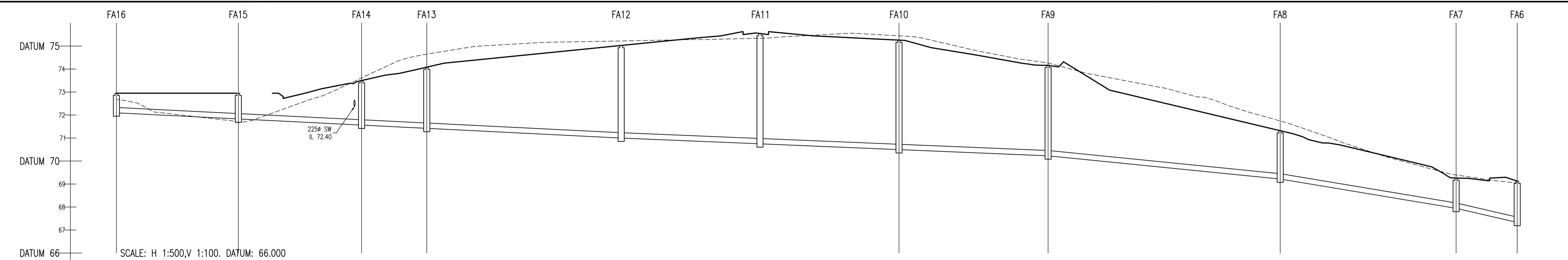


© COPYRIGHT OF THIS DRAWING IS RESERVED BY DBFL CONSULTING ENGINEERS. NO PART SHALL BE REPRODUCED OR TRANSMITTED WITHOUT THEIR WRITTEN PERMISSION.



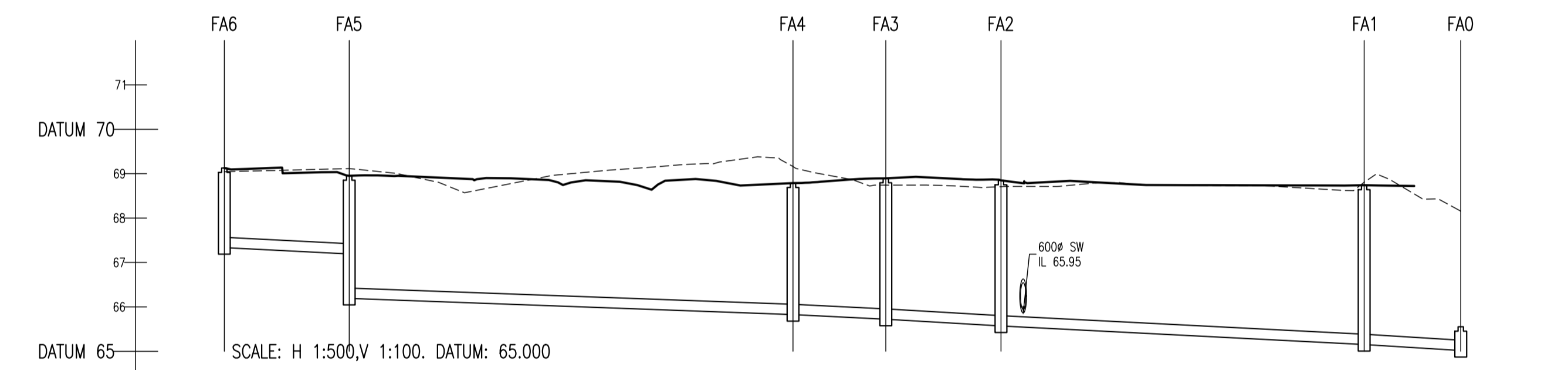
- NOTES:
1. ALL DRAWINGS TO BE CHECKED BY CONTRACTOR ON SITE AND ENGINEER INFORMED OF DISCREPANCIES BEFORE WORK COMMENCES
  2. ALL LEVELS ARE IN METRES AND ARE RELATED TO ORDNANCE DATUM
  3. CONTRACTOR SHALL SATISFY HIMSELF AS TO THE ACCURACY OF PAVEMENT LEVELS ON SITE PRIOR TO COMMENCEMENT OF WORKS ON SITE
  4. ALL WORKS TO BE CONSTRUCTED IN ACCORDANCE WITH THE NRA SPECIFICATION FOR ROAD WORKS UNLESS NOTED OTHERWISE
  5. THIS DRAWING IS FOR PLANNING PURPOSES ONLY
  6. MANHOLE COVER LEVELS ARE TO CONFORM WITH FINISHED ROAD AND PATH LEVELS
  7. WHERE COVER TO PIPE IS LESS THAN 1200mm (ROAD/PATH/VERGE) OR 900mm (OPEN SPACE) SURROUND PIPE IN MINIMUM 150mm CONCRETE

KEY  
 - - - - - EXISTING GROUND PROFILE  
 \_\_\_\_\_ PROPOSED GROUND PROFILE



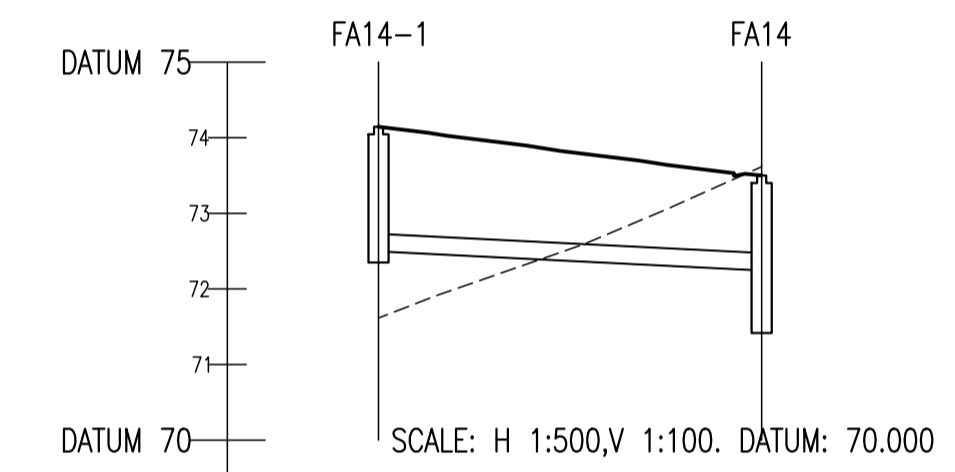
SCALE: H 1:500,V 1:100. DATUM: 66.000

COVER LEVEL	72.950	72.950	73.500	74.083	75.027	75.547	75.260	74.164	71.319	69.260	69.128																											
INVERT LEVEL	72.100	1.000	71.835	1.001	71.567	1.002	71.435	1.003	71.003	71.003	1.004	70.752	70.752	1.005	70.590	70.590	75.260	1.006	70.230	70.230	74.164	1.007	69.271	69.271	71.319	1.008	68.221	68.221	67.947	67.947	69.260	1.009	67.338	67.338	1.790			
DEPTH (m)	0.850		1.115		1.933		2.658		4.024		4.024		4.795		4.790		4.760		3.934		3.934		2.088		2.088		2.088		1.313		1.313		1.313		1.313		1.790	
DISTANCE (m)		26.49		26.77		14.17		42.24		30.16		30.21		32.39		50.43		38.22		13.15		13.15		13.15		13.15		13.15		13.15		13.15		13.15		13.15		13.15
PIPE SLOPE		1:100		1:100		1:100		1:100		1:120		1:120		1:120		1:50		1:30		1:22		1:22		1:22		1:22		1:22		1:22		1:22		1:22		1:22		1:22
PIPE SIZE		225mm		225mm		225mm		225mm		225mm		225mm		225mm		225mm		225mm		225mm		225mm		225mm		225mm		225mm		225mm		225mm		225mm		225mm		225mm



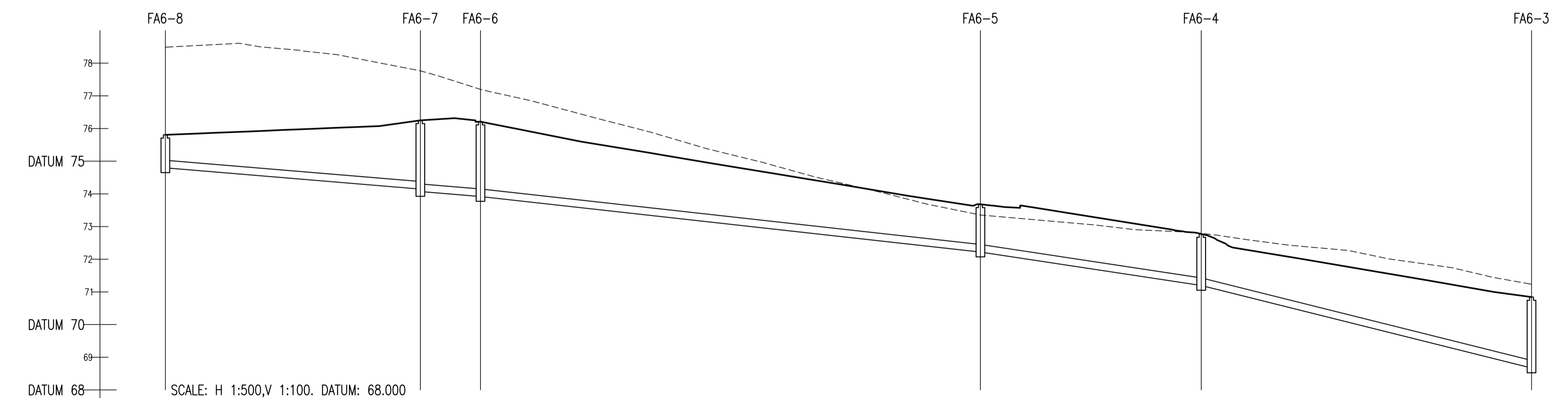
SCALE: H 1:500,V 1:100. DATUM: 65.000

COVER LEVEL	68.128	68.932	68.788	68.895	68.849	68.740	65.533											
INVERT LEVEL	67.338	1.010	67.195	1.011	66.830	66.830	66.788	1.012	66.776	66.776	1.013	66.574	66.574	1.014	66.156	66.156	66.021	65.533
DEPTH (m)	1.790		2.757		2.898		3.169		3.275		3.275		3.584		3.584		0.532	0.532
DISTANCE (m)		14.08		50.04		10.46		12.98		40.95		10.89		10.89		10.89		10.89
PIPE SLOPE		1:98		1:137		1:101		1:85		1:98		1:81		1:81		1:81		1:81
PIPE SIZE		225mm		225mm		225mm		225mm		225mm		225mm		225mm		225mm		225mm



SCALE: H 1:500,V 1:100. DATUM: 70.000

COVER LEVEL	74.145	73.500	
INVERT LEVEL	72.500	2.000	72.247
DEPTH (m)	1.645		1.933
DISTANCE (m)		25.34	
PIPE SLOPE		1:100	1:81
PIPE SIZE		225mm	



SCALE: H 1:500,V 1:100. DATUM: 68.000

COVER LEVEL	73.807	76.250	76.209	73.690	72.769	70.843												
INVERT LEVEL	74.800	5.000	74.150	74.075	5.001	73.922	73.922	76.209	5.002	72.223	72.223	5.003	71.200	72.769	5.004	68.674	70.843	
DEPTH (m)	1.007		2.175		2.287		1.457		1.569		1.569		1.569		1.569		2.169	2.169
DISTANCE (m)		39.00		9.20		76.46		33.77		50.52		50.52		50.52		50.52		50.52
PIPE SLOPE		1:60		1:60		1:45		1:33		1:20		1:20		1:20		1:20		1:20
PIPE SIZE		225mm		225mm		225mm		225mm		225mm		225mm		225mm		225mm		225mm

REV.	DATE	DESCRIPTION	BY	CHKD.
<b>PLANNING</b>				
DESIGNED	BK	PREPARED	ICD	
DATE	APR 2019	CHECKED	DJR	

**DBFL**  
 DUBLIN OFFICE: Ormond House, Upper Ormond Quay, Dublin 7, Ireland. PHONE +353 1 400 4000 FAX +353 1 400 4050  
 WATERFORD OFFICE: Unit 2, The Chandlery, 1-2 O'Connell Street, Waterford, Ireland. PHONE +353 51 339 550 FAX +353 51 844 913  
 DBFL Consulting Engineers email: info@dbfl.ie site: www.dbfl.ie

PROJECT  
**LANDS AT CAPDOO, CLANE, CO. KILDARE**

DRG. TITLE  
**LONGITUDINAL SECTIONS THROUGH FOUL SEWER SHEET 1**

CLIENT  
**ARDSTONE RESIDENTIAL FUND**

SCALE 1:500 @A1 FILE REF. 162074-3020  
 DRG. NO. **162074-3021**